

15-440: Recitation 10

School of Computer Science Carnegie Mellon University, Qatar

Fall 2014

Date: Nov 6, 2014

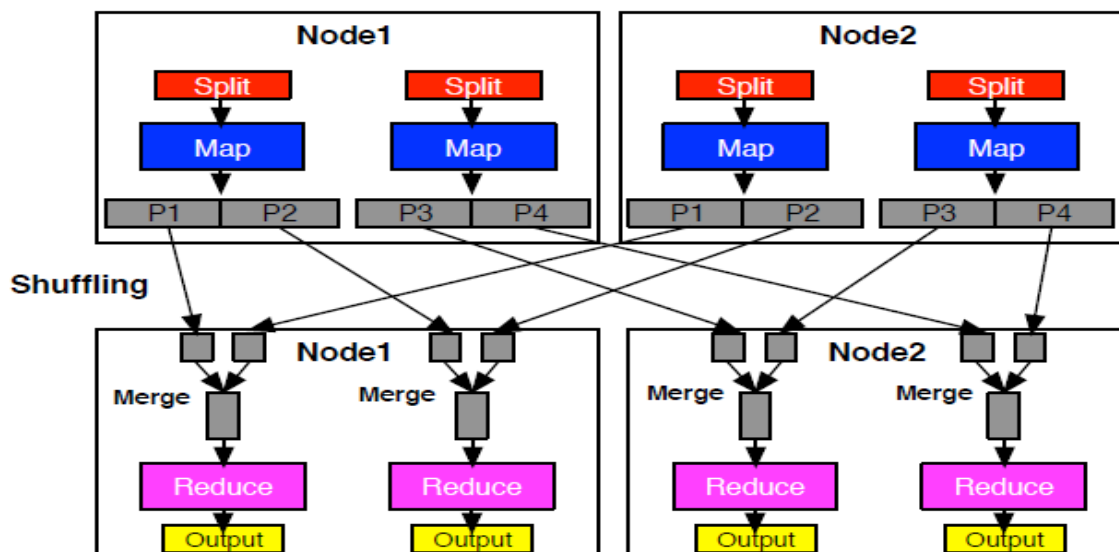
I- Intended Learning Outcome:

- Apply MapReduce to a real problem.

II- Objectives:

- Understand MapReduce data flow at a high level.
- Develop and run a simple MapReduce program.

III- High-Level MapReduce Data Flow:



IV- The WordCount Problem:

Write a MapReduce application, referred to as WordCount, that computes the occurrence frequency of each word in a text file. After you write your application, follow the following steps:

- 1) Create a folder for the .class files of your application using the following command:

```
$ mkdir WordCount_Classes
```

- 2) Compile your WordCount program using the following command:

```
$ javac -classpath $HADOOP_HOME/hadoop-0.20.2-core.jar -d WordCount_Classes WordCount.java
```

where WordCount.java is the program's name and that HADOOP_HOME is the root of the Hadoop installation.

- 3) Create the jar file required by Hadoop to run your application using the following command:

```
$ jar -cvf WordCount.jar -C WordCount_Classes/ .
```

where -C WordCount_Classes part of this command directs the Jar tool to go to the WordCount_Classes directory, and

the . following C WordCount_Classes/ directs the Jar tool to archive all the contents of that directory

- 4) Create two simple sample text files, file01 and file02. For instance you can have them as follows:

file01: Welcome to MapReduce

file02: Welcome to MapReduce in 15440

- 5) Create an input directory in HDFS using the following command:

```
$ hadoop dfs -mkdir /user/hadoop/wordcount/input
```

- 6) Copy file01 and file02 to your HDFS input directory using the following commands:

```
$ hadoop dfs -copyFromLocal file01 /user/hadoop/wordcount/input  
$ hadoop dfs -copyFromLocal file02 /user/hadoop/wordcount/input
```

- 7) Check that file01 and file02 now exist at user/hadoop/wordcount/input using the following command:

```
$ hadoop dfs -ls /user/hadoop/wordcount/input
```

- 8) Run your WordCount application using the following command:

```
hadoop jar WordCount.jar WordCount /user/hadoop/wordcount/input  
/user/hadoop/wordcount/output
```

- 9) Use the MapReduce Web UI to view information about your job.

http://your_user_name-hadoop-node1.qatar.cmu.local:50030/jobtracker.jsp