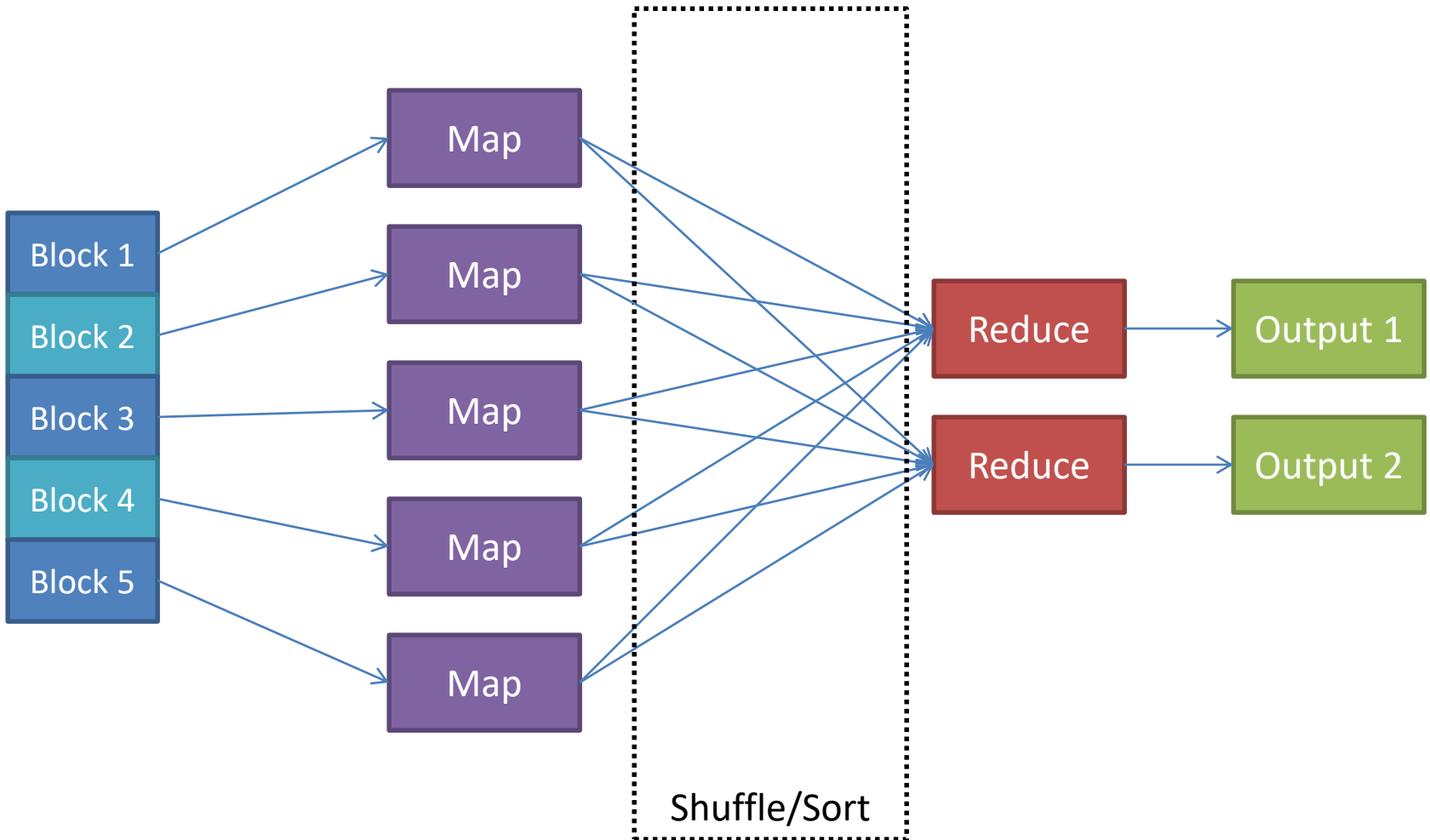
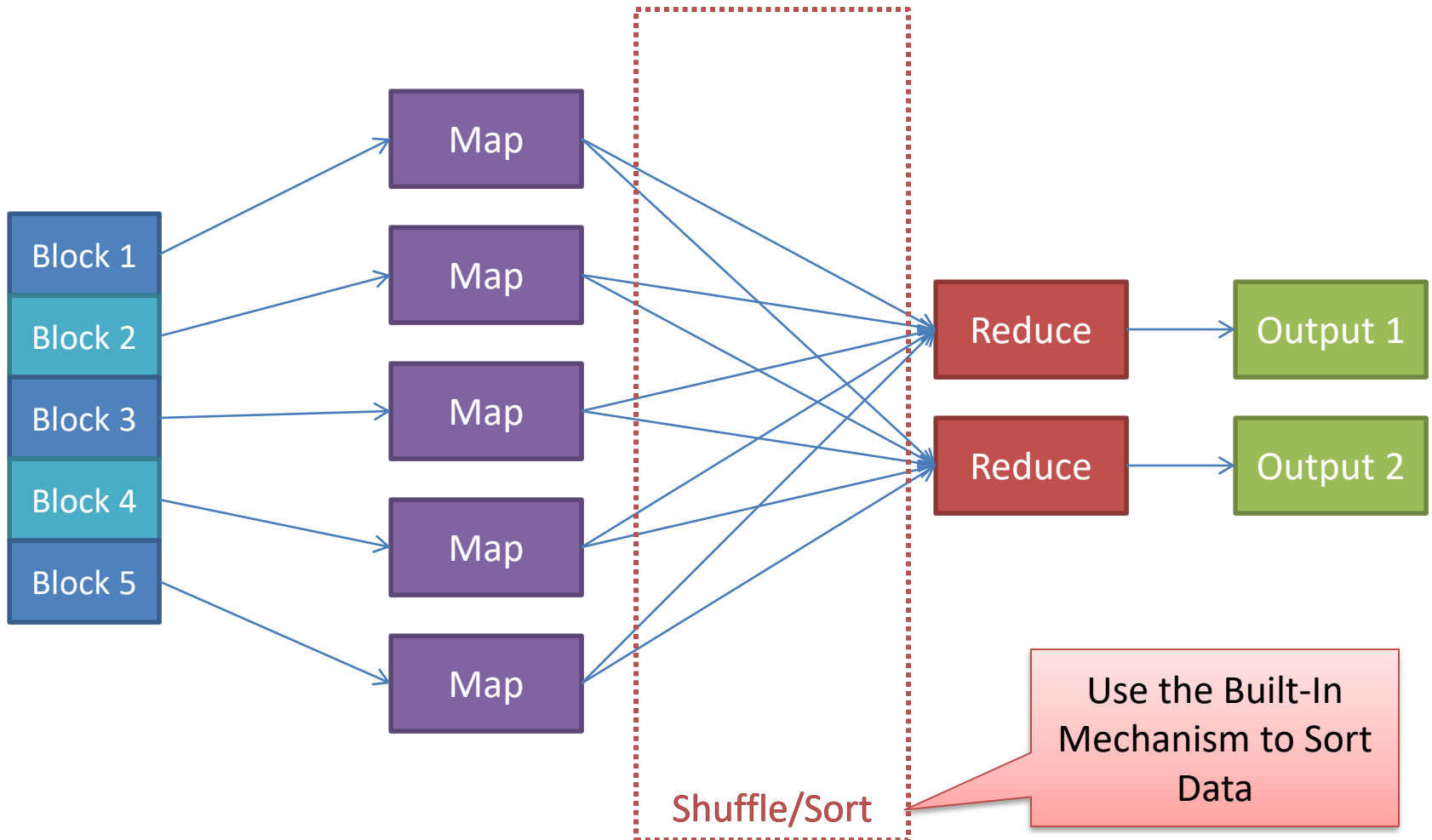


# Sort in MapReduce

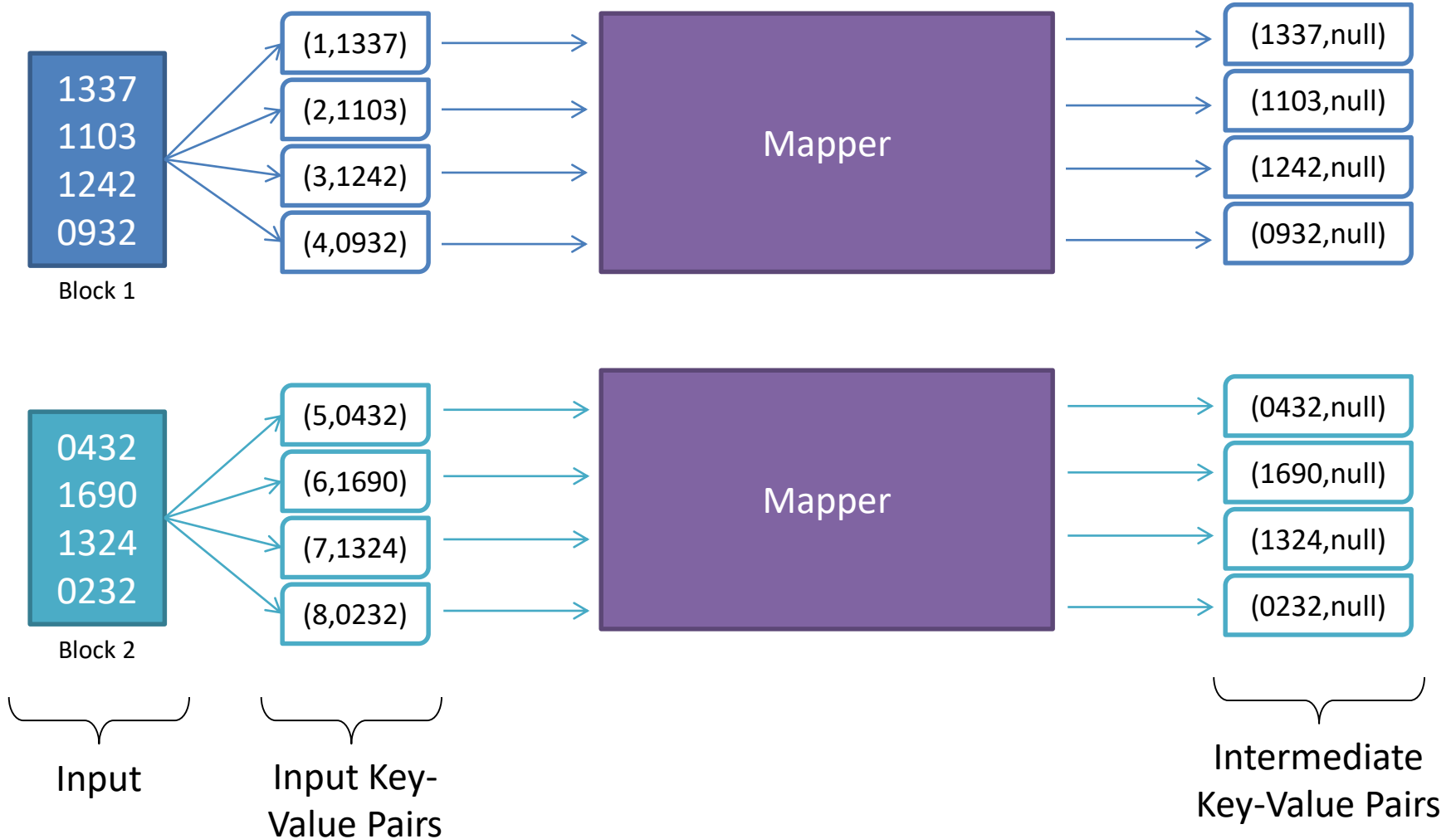
# MapReduce



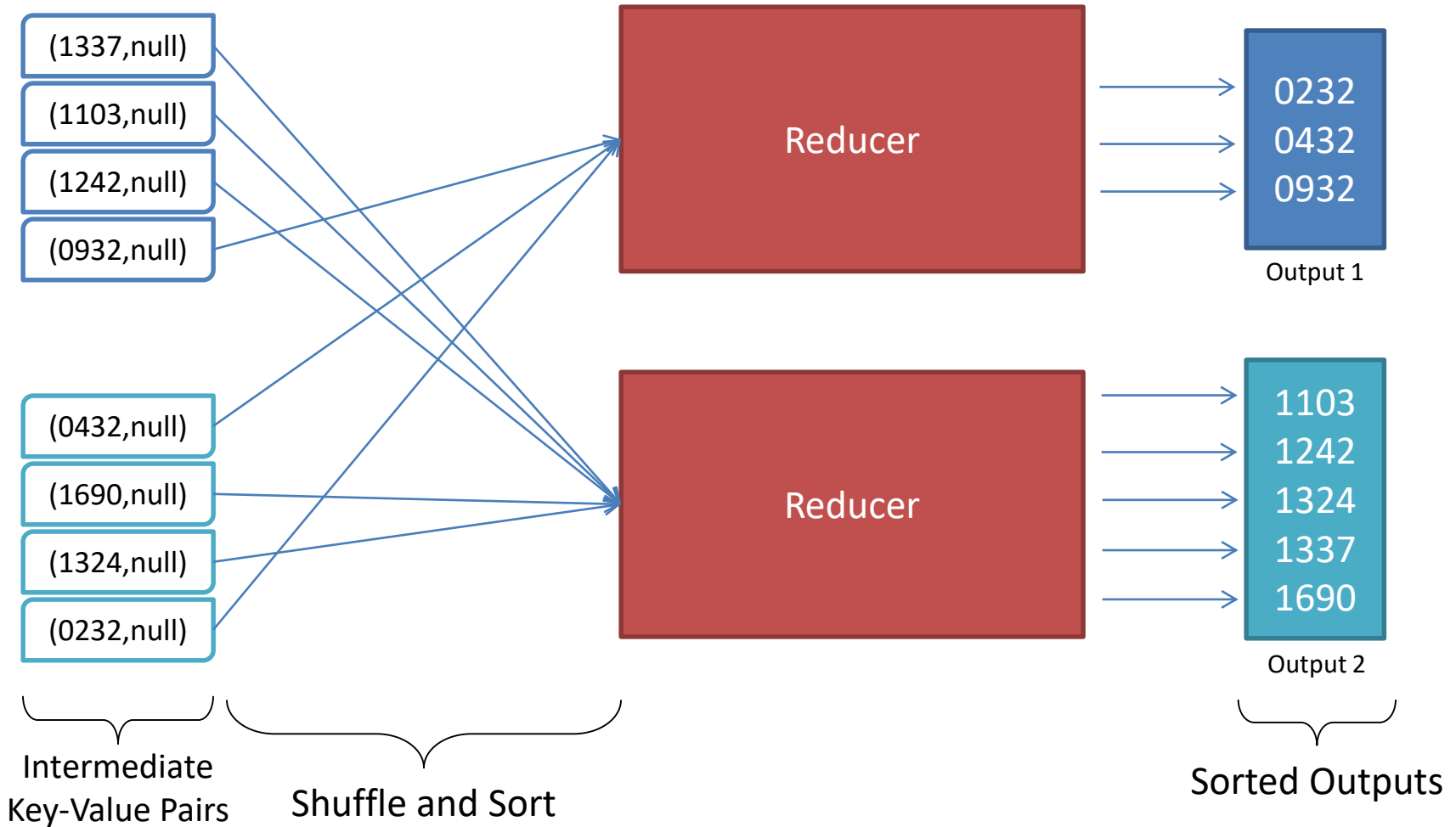
# How to Sort in MapReduce?



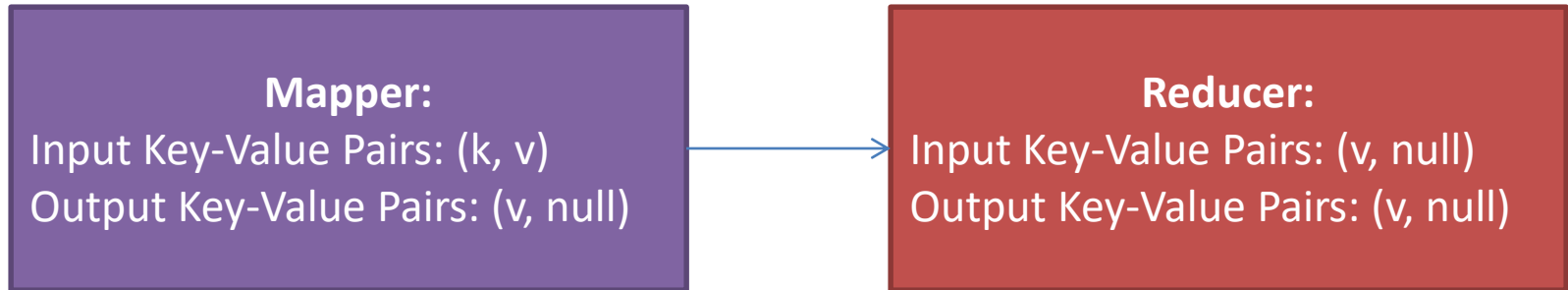
# Mapper



# Reducer



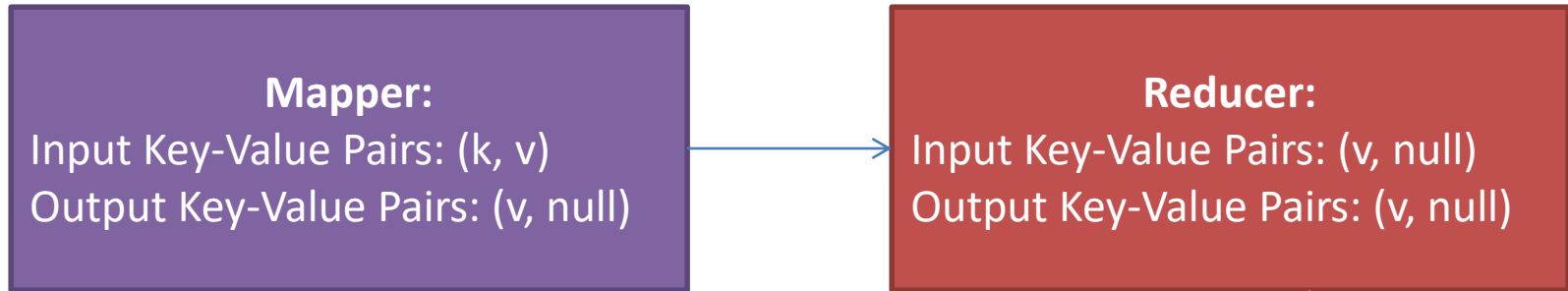
# The MapReduce Program



```
public void map(Object key, Text value, Context context)
throws Exception
{
    //Parse the value, if required.

    context.write(value, null);
}
```

# The MapReduce Program



```
public void reduce(Text key, Iterable<Text> values, Context context)
throws IOException, InterruptedException
{
    while(values.iterator().hasNext())
    {
        context.write(key, values.iterator().next());
    }
}
```